



I-8053



I-8053-G

16-ch Isolated DI Module

Features

- 16-channel Digital Inputs
- Wet Contact
- Photocouple Isolation
- 4 kV ESD Protection
- 3750 Vdc Intra-module Isolation



Introduction

The I-8053 offer 16 channels for Digital Input, catering for both dry and wet contact, with an effective distance for dry contact of up to 500 meters. The I-8053 provides 16 LED indicators that can be used to monitor the DI channel status. 4 kV ESD protection and 3750 VDC intra-module isolation are also provided to enhance noise immunity capabilities in industrial environments.

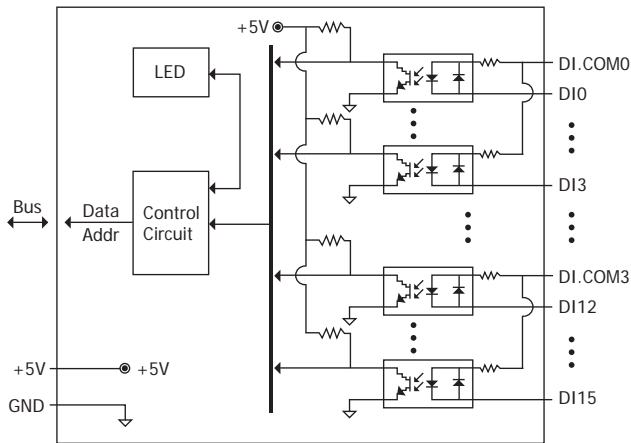
System Specifications

| LED Indicators/Display | |
|--|-------------------------------------|
| System LED Indictors | 1 LED as Power Indicator |
| I/O LED Indicators | 16 LEDs as Digital Input Indicators |
| Isolation | |
| Intra-module Isolation, Field-to-Logic | 3750 Vdc |
| EMS Protection | |
| ESD (IEC 61000-4-2) | ±4 kV Contact for each Terminal |
| Power | |
| Power Consumption | 0.4 W Max. |
| Mechanical | |
| Dimensions (W x L x H) | 31 mm x 116 mm x 88 mm |
| Environment | |
| Operating Temperature | -25 ~ +75 °C |
| Storage Temperature | -40 ~ +85 °C |
| Humidity | 10 ~ 90% RH, Non-condensing |

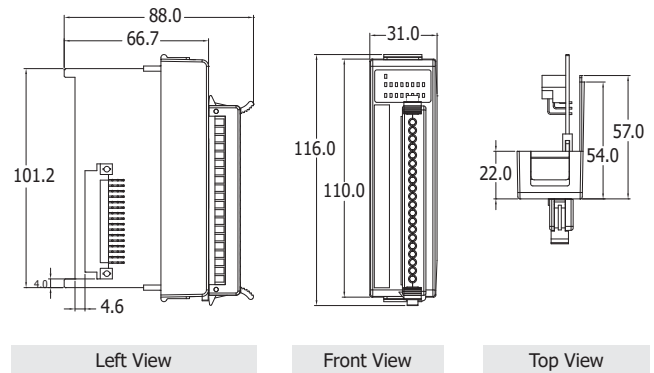
I/O Specifications

| Digital Input | |
|-----------------------|----------------|
| Channels | 16 |
| Type | Wet Contact |
| Sink/Source (NPN/PNP) | Sink, Source |
| ON Voltage Level | +3.5 ~ +30 VDC |
| Off Voltage Level | +1 VDC max. |
| Input Impedance | 3 kΩ, 0.5 W |

Internal I/O Structure



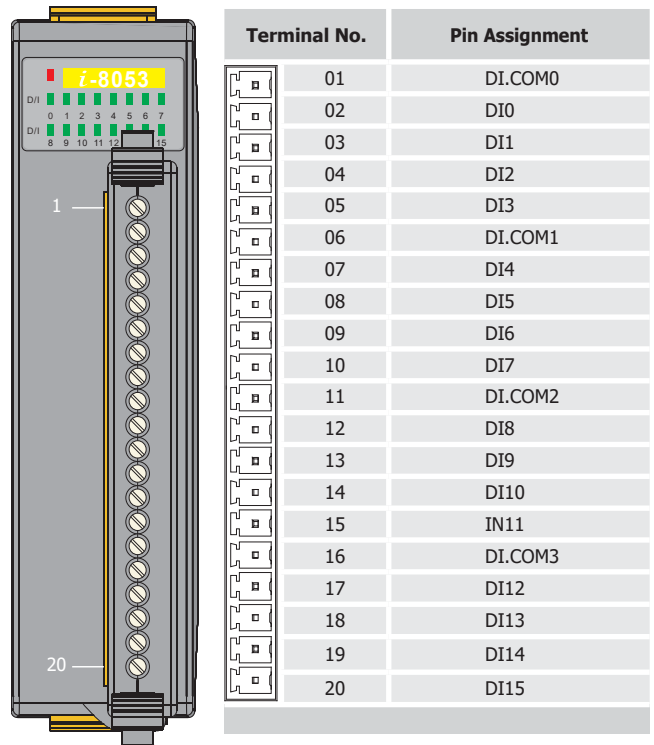
Dimensions (Units: mm)



Wire Connections

| Input Type | ON State LED ON Readback as 0 | OFF State LED OFF Readback as 1 |
|---------------|--------------------------------------|-------------------------------------|
| Relay Contact | Relay ON | Relay OFF |
| | TTL/CMOS Logic Voltage > 10 V | TTL/CMOS Logic Voltage < 4 V |
| NPN Output | Open Collector ON | Open Collector OFF |
| | PNP Output Open Collector ON | Open Collector OFF |

Pin Assignments



Ordering Information

| | |
|--------------------|---|
| I-8053 CR | 16-ch Isolated DI (Wet, 10 ~ 30 VDC) Module (Blue Cover) (RoHS) |
| I-8053-G CR | 16-ch Isolated DI (Wet, 10 ~ 30 VDC) Module (Gray Cover) (RoHS) |